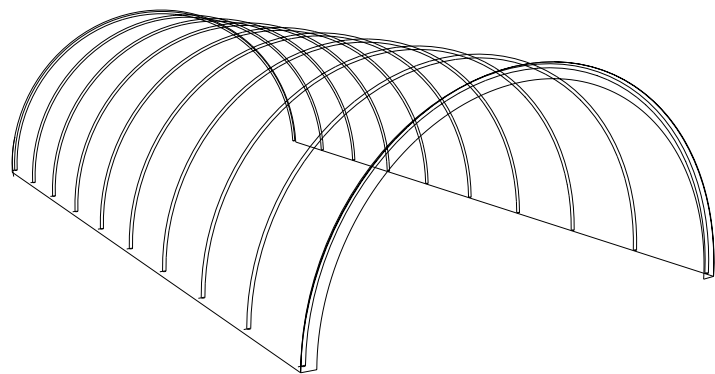




SP Series



Finish

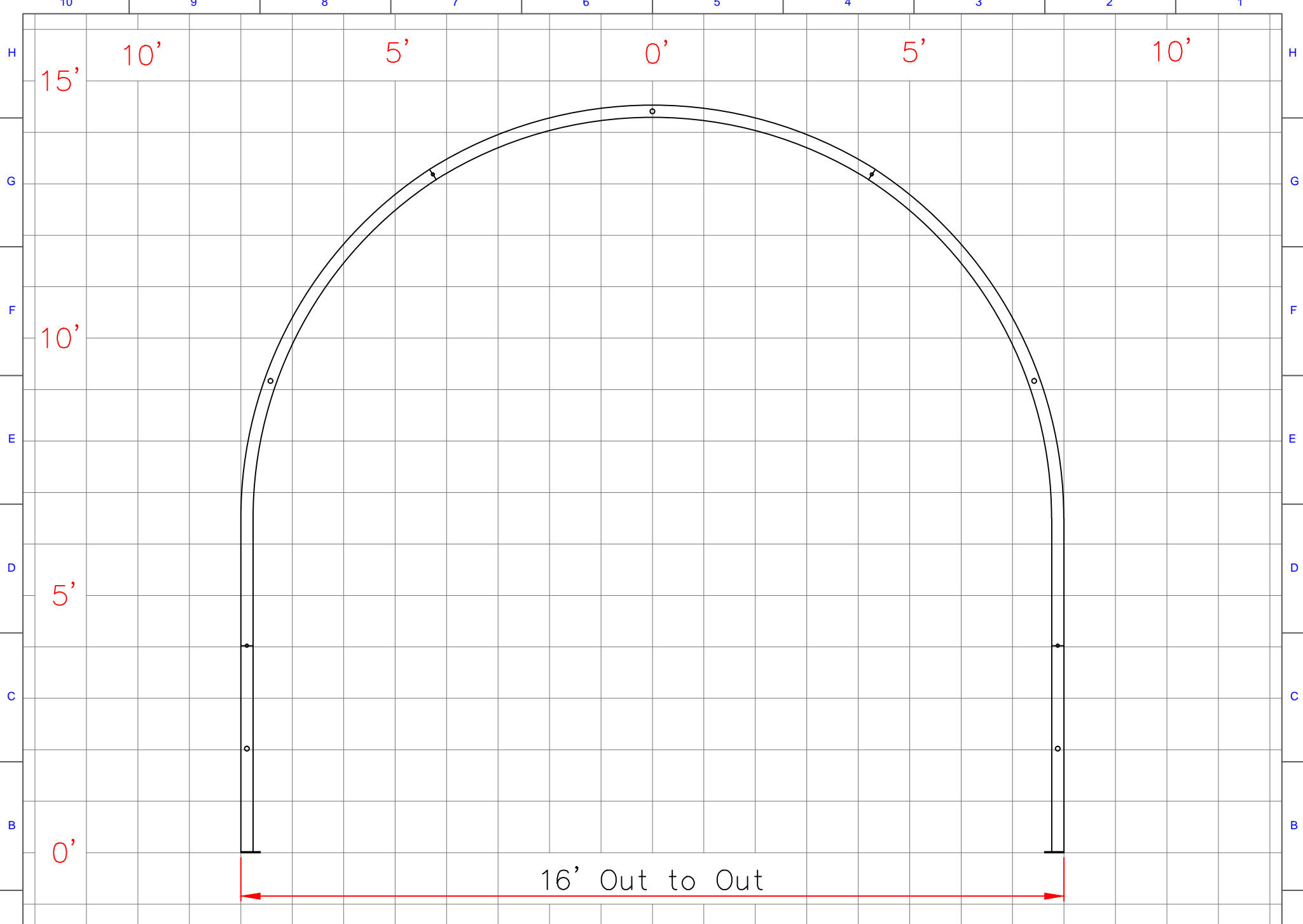
GatorShield-patented triple layer Flo-Coat rust and corrosion resistant product protection

Fabric

12 oz.-Nova-Shield Fabric with ArmorKote

Models

16' SP
18' SP
20' SP
22' SP
24' SP
26' SP
28' SP
30' SP
32' SP



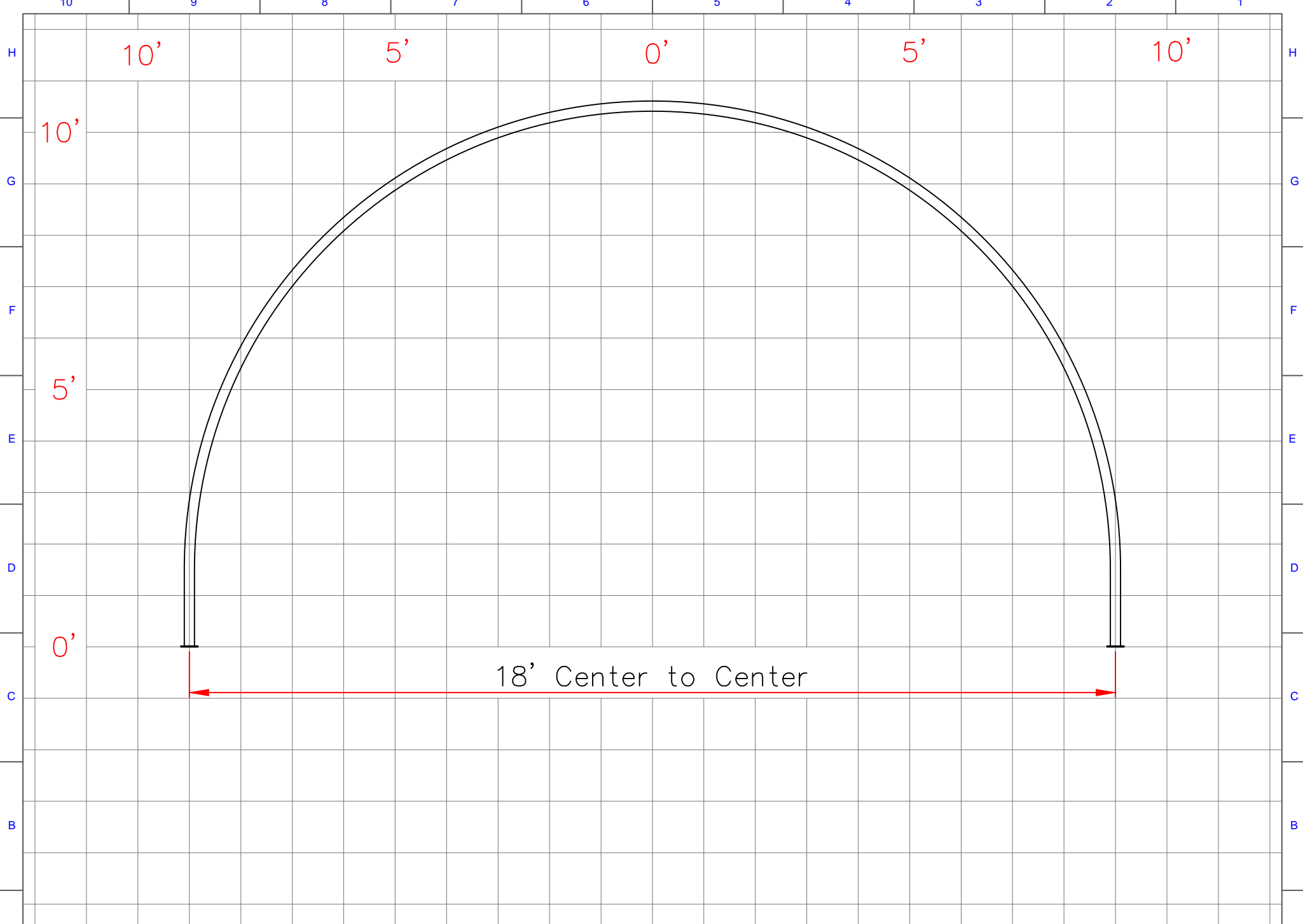
THIS MATERIAL IS THE PROPERTY OF NATURAL LIGHT FABRIC STRUCTURES AND SHOULD NOT BE REPRODUCED, PUBLISHED OR DISCLOSED TO OTHERS WITHOUT AUTHORIZATION AND SHALL NOT BE USED IN ANY WAY AGAINST OR DETRIMENTAL TO NATURAL LIGHT FABRIC STRUCTURES JORDAN, MN

DESCRIPTION:
16' Profile

SERIES:
SP16

DATE:
10-05-2010





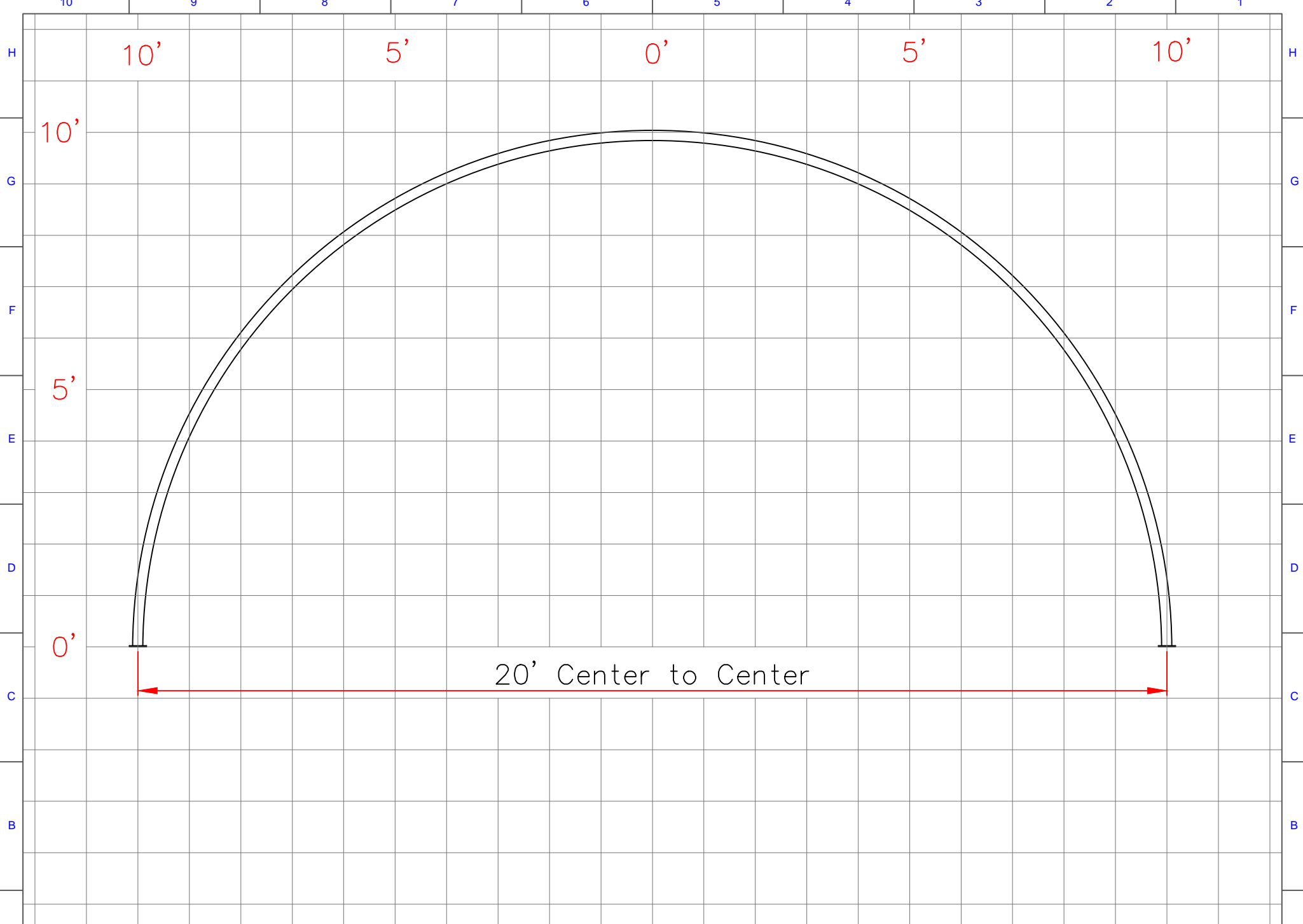
THIS MATERIAL IS THE PROPERTY OF NATURAL LIGHT FABRIC STRUCTURES AND SHOULD NOT BE REPRODUCED, PUBLISHED OR DISCLOSED TO OTHERS WITHOUT AUTHORIZATION AND SHALL NOT BE USED IN ANY WAY AGAINST OR DETRIMENTAL TO NATURAL LIGHT FABRIC STRUCTURES JORDAN, MN

DESCRIPTION:
18' Profile

SERIES:
SP18

DATE:
10-05-2010





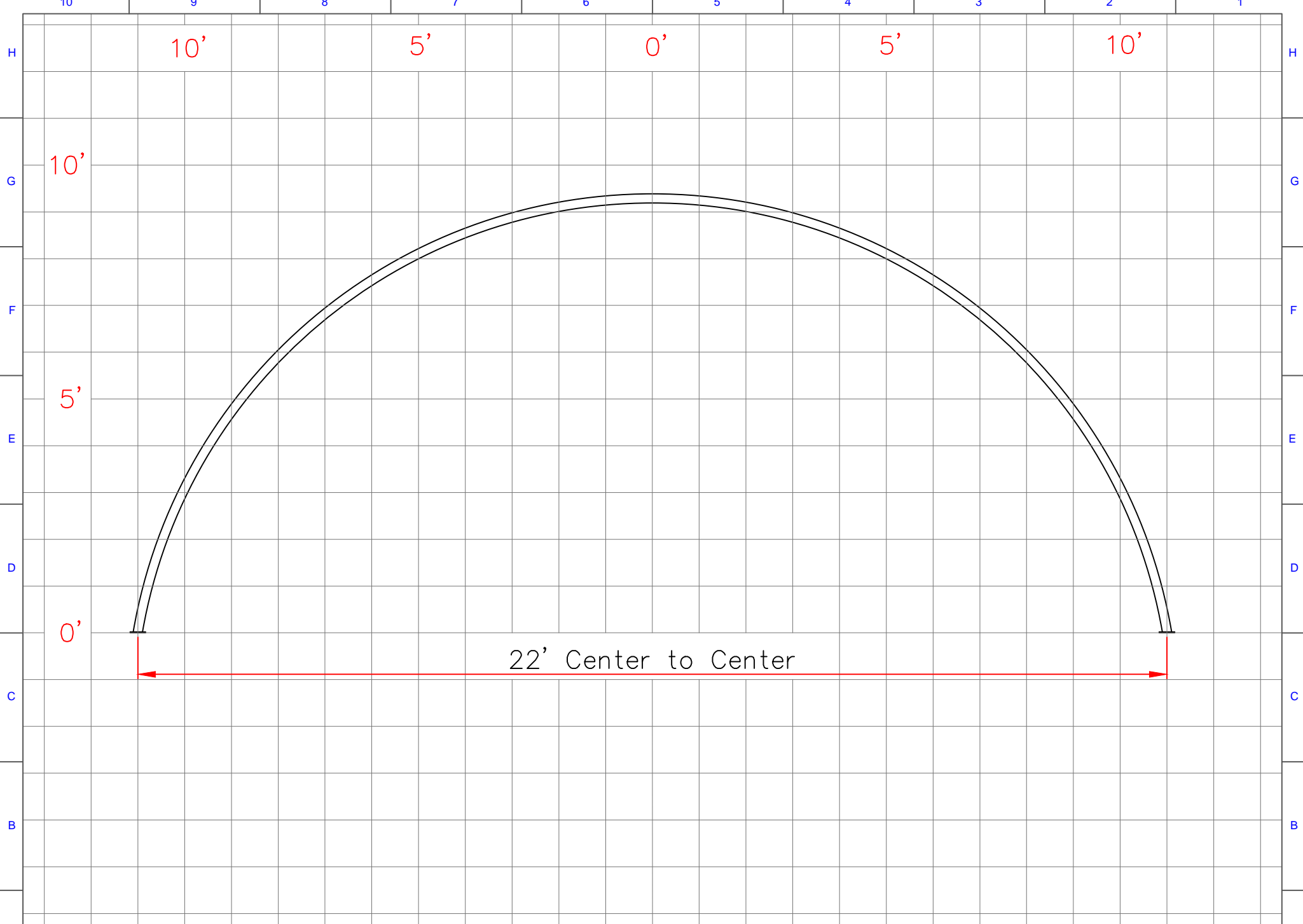
THIS MATERIAL IS THE PROPERTY OF NATURAL LIGHT FABRIC STRUCTURES AND SHOULD NOT BE REPRODUCED, PUBLISHED OR DISCLOSED TO OTHERS WITHOUT AUTHORIZATION AND SHALL NOT BE USED IN ANY WAY AGAINST OR DETRIMENTAL TO NATURAL LIGHT FABRIC STRUCTURES JORDAN, MN

DESCRIPTION:
20' Profile

SERIES:
SP20

DATE:
10-05-2010





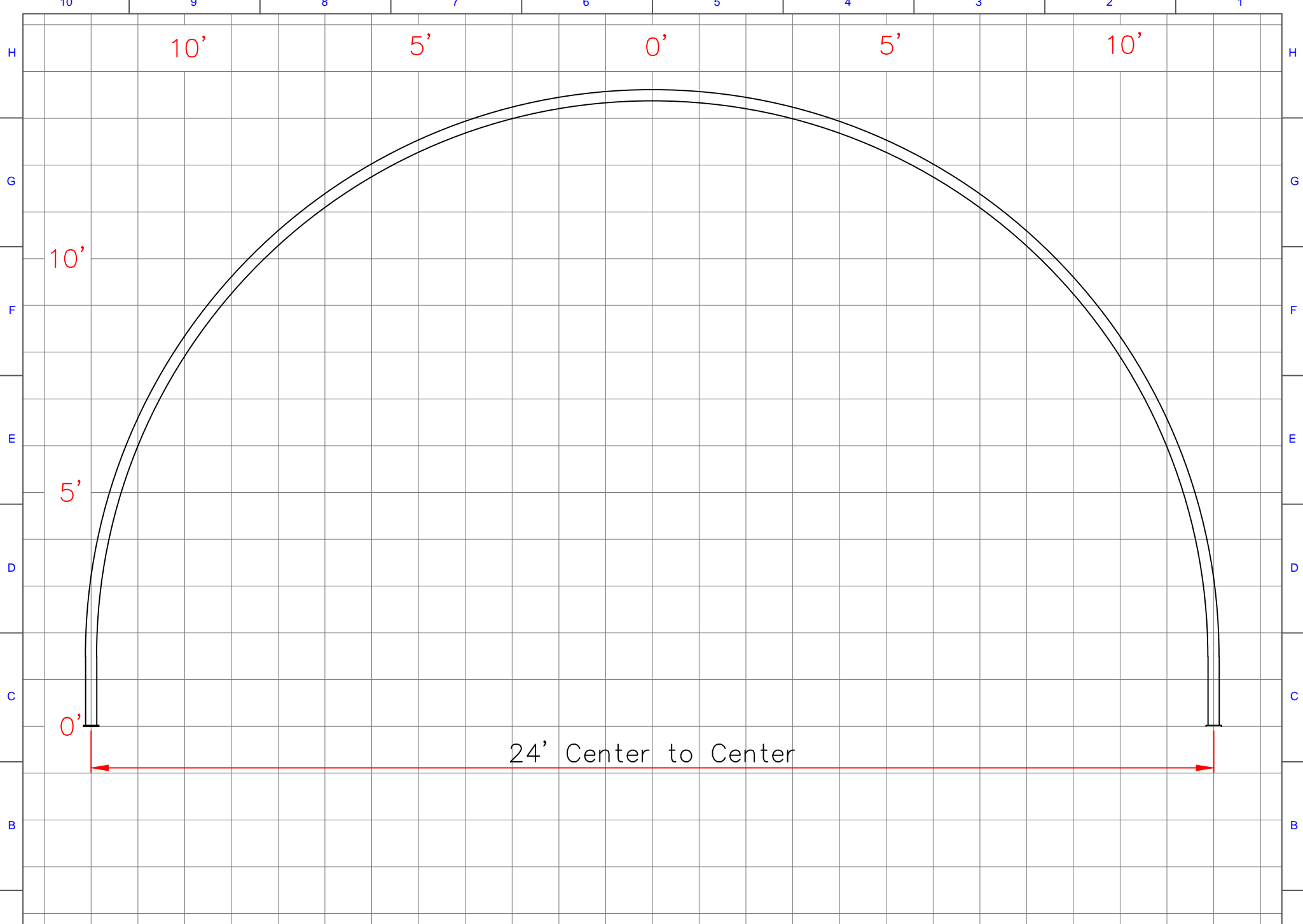
THIS MATERIAL IS THE PROPERTY OF NATURAL LIGHT FABRIC STRUCTURES AND SHOULD NOT BE REPRODUCED, PUBLISHED OR DISCLOSED TO OTHERS WITHOUT AUTHORIZATION AND SHALL NOT BE USED IN ANY WAY AGAINST OR DETRIMENTAL TO NATURAL LIGHT FABRIC STRUCTURES JORDAN, MN

DESCRIPTION:
22' Profile

SERIES:
SP22

DATE:
10-05-2010





24' Center to Center

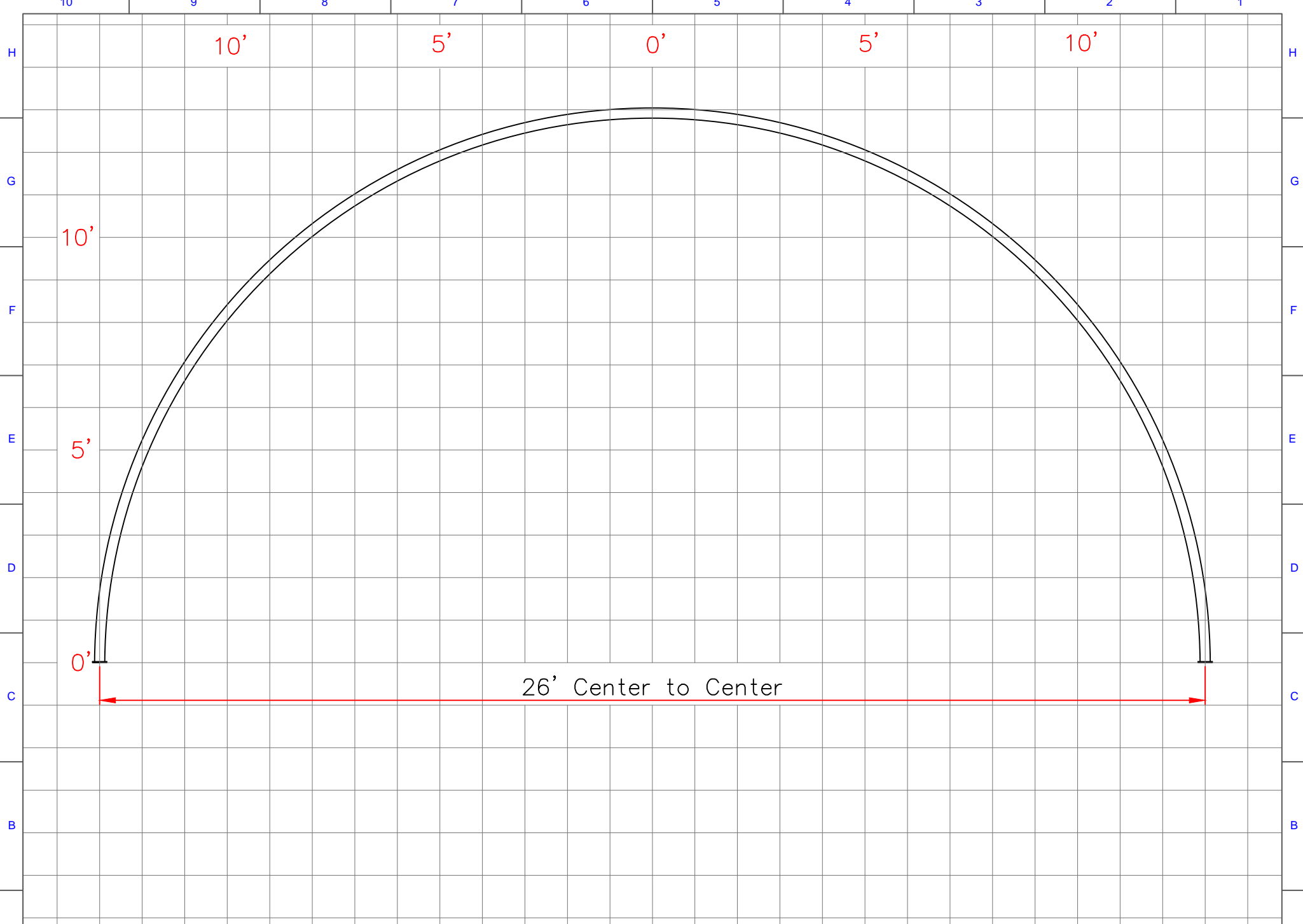
A THIS MATERIAL IS THE PROPERTY OF NATURAL LIGHT FABRIC STRUCTURES AND SHOULD NOT BE REPRODUCED, PUBLISHED OR DISCLOSED TO OTHERS WITHOUT AUTHORIZATION AND SHALL NOT BE USED IN ANY WAY AGAINST OR DETRIMENTAL TO NATURAL LIGHT FABRIC STRUCTURES JORDAN, MN

DESCRIPTION:
24' Profile

SERIES:
SP24

DATE:
10-05-2010





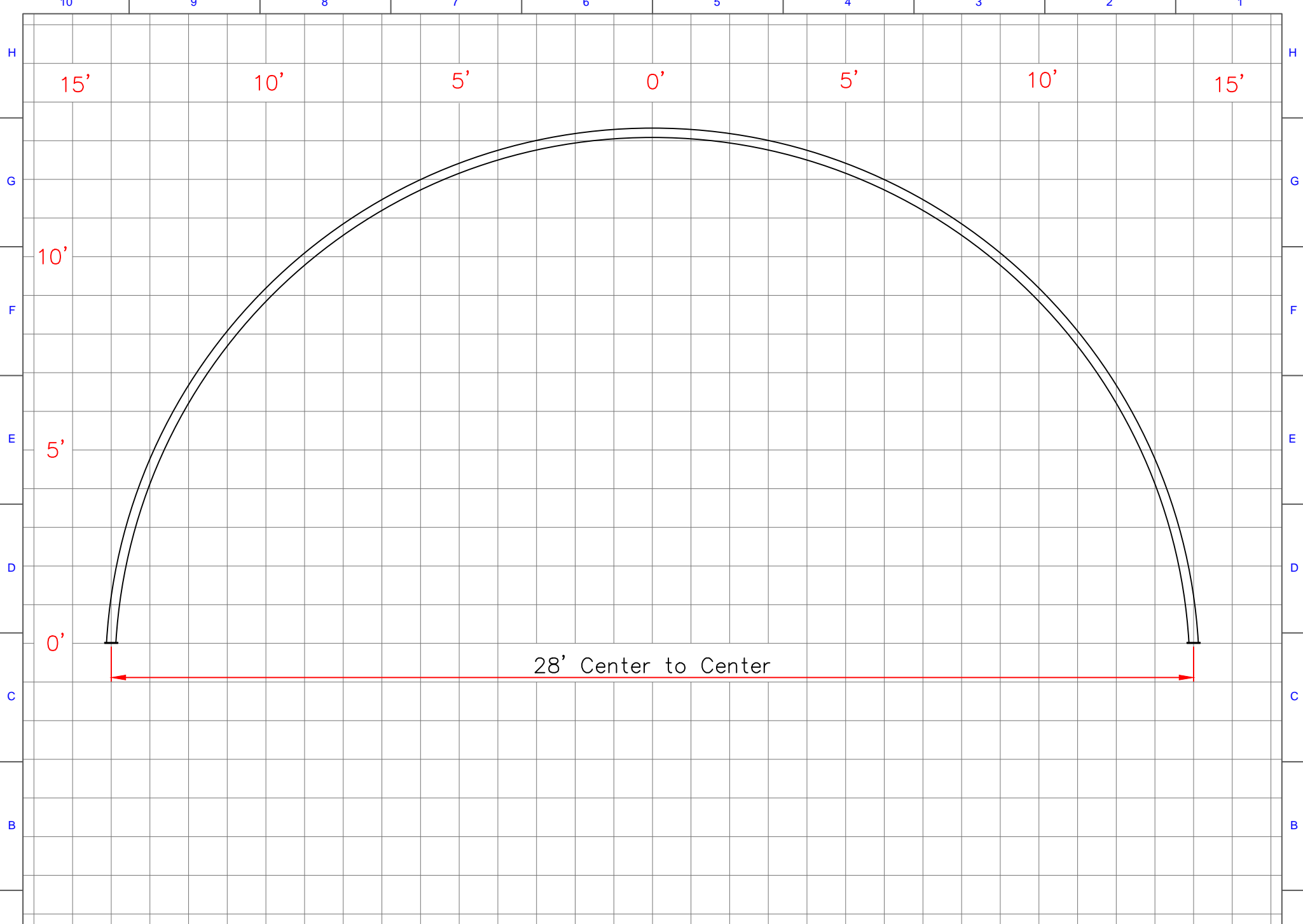
THIS MATERIAL IS THE PROPERTY OF NATURAL LIGHT FABRIC STRUCTURES AND SHOULD NOT BE REPRODUCED, PUBLISHED OR DISCLOSED TO OTHERS WITHOUT AUTHORIZATION AND SHALL NOT BE USED IN ANY WAY AGAINST OR DETRIMENTAL TO NATURAL LIGHT FABRIC STRUCTURES JORDAN, MN

DESCRIPTION:
26' Profile

SERIES:
SP26

DATE:
10-05-2010





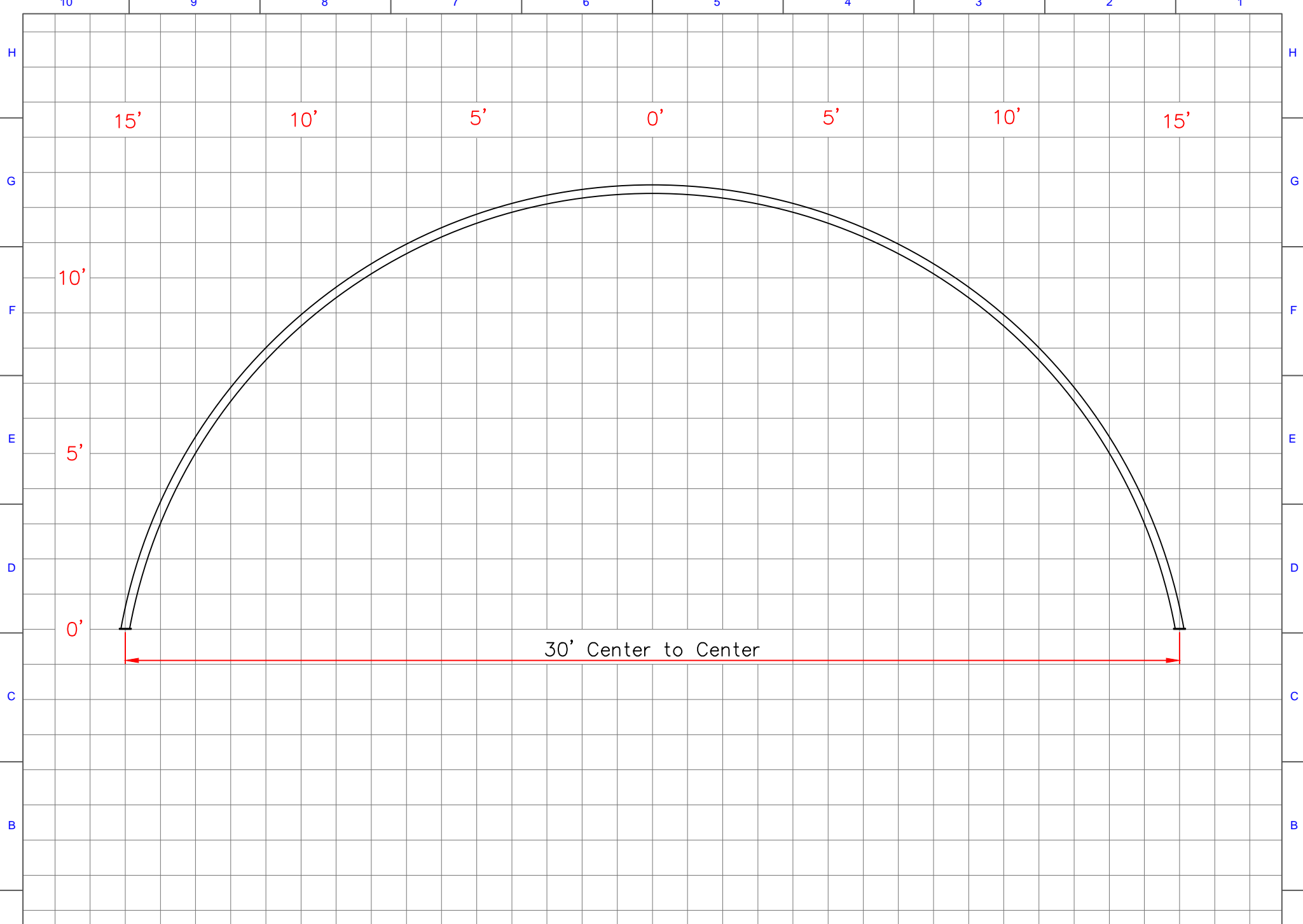
THIS MATERIAL IS THE PROPERTY OF NATURAL LIGHT FABRIC STRUCTURES AND SHOULD NOT BE REPRODUCED, PUBLISHED OR DISCLOSED TO OTHERS WITHOUT AUTHORIZATION AND SHALL NOT BE USED IN ANY WAY AGAINST OR DETRIMENTAL TO NATURAL LIGHT FABRIC STRUCTURES JORDAN, MN

DESCRIPTION:
28' Profile

SERIES:
SP28

DATE:
10-05-2010





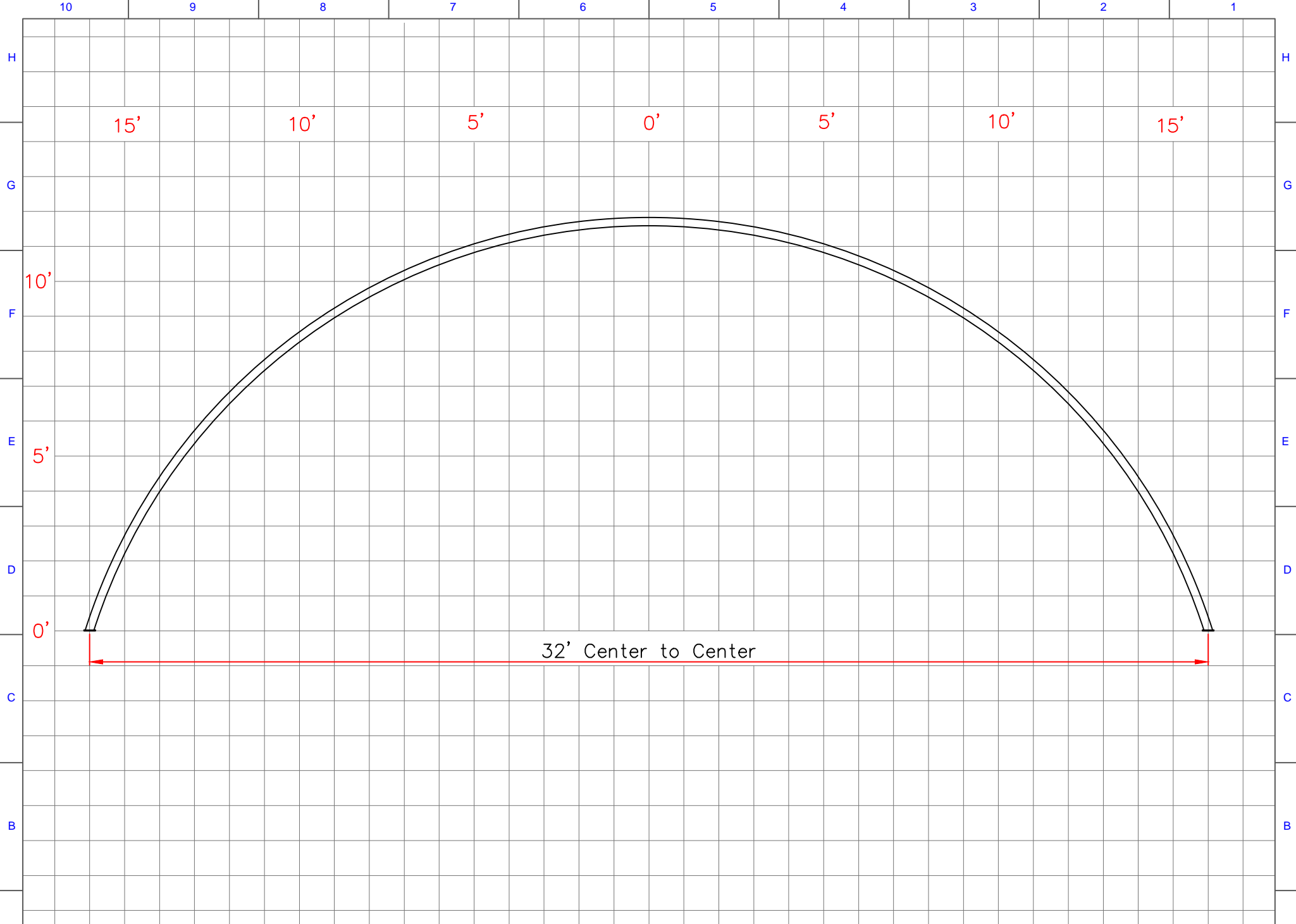
THIS MATERIAL IS THE PROPERTY OF NATURAL LIGHT FABRIC STRUCTURES AND SHOULD NOT BE REPRODUCED, PUBLISHED OR DISCLOSED TO OTHERS WITHOUT AUTHORIZATION AND SHALL NOT BE USED IN ANY WAY AGAINST OR DETRIMENTAL TO NATURAL LIGHT FABRIC STRUCTURES JORDAN, MN

DESCRIPTION:
30' Profile

SERIES:
SP30

DATE:
10-05-2010





THIS MATERIAL IS THE PROPERTY OF NATURAL LIGHT FABRIC STRUCTURES AND SHOULD NOT BE REPRODUCED, PUBLISHED OR DISCLOSED TO OTHERS WITHOUT AUTHORIZATION AND SHALL NOT BE USED IN ANY WAY AGAINST OR DETRIMENTAL TO NATURAL LIGHT FABRIC STRUCTURES JORDAN, MN

DESCRIPTION:
32' Profile

SERIES:
SP32

DATE:
10-05-2010

